

DRAWING NO.
SC211888

4

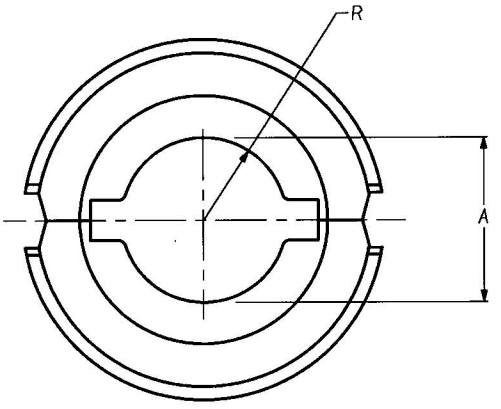
3

2

1

REV.	DATE	DESCRIPTION	BY	C.K'D.
0	12/08/98	DRAWING RELEASED	DB	JL

CATALOG NO.	DIM. "A" REF.	DIM. "R" REF.
L27ART	.63 [16]	.32 [8]
L28ART	.71 [18]	.36 [9]
L29ART	.78 [20]	.39 [10]
L30ART	.85 [22]	.43 [11]
L31ART	.92 [23]	.46 [12]
L32ART	.99 [25]	.50 [13]
L34ART	1.10 [28]	.55 [14]
L36ART	1.21 [31]	.61 [15]
L39ART	1.34 [34]	.67 [17]
L40ART	1.39 [35]	.70 [18]
L44ART	1.55 [39]	.78 [20]
L46ART	2.00 [51]	1.00 [25]
L47ART	1.98 [50]	1.13 [29]



D

C

B

A

D

C

B

A

NOTES:

- FOR USE IN FCI ELECTRICAL, BURNDY® HYPRESS™ Y60BH, Y60BHU CRIMPING PRESS.
- DIMENSIONS IN BRACKETS [] AREA IN MILLIMETERS ROUNDED OFF TO THE NEAREST MILLIMETER, UNLESS OTHERWISE NOTED, AND ARE FOR REFERENCE ONLY.

CIRCULAR BUTTING DIE	
CAT NO: L__ART (SEE TABLE)	SCALE: N/A
DRAWN: D. BOISVERT	10/26/98
CHECKED: J. LAFAYOLLE	12/03/98
DESIGN APPVL: R. POIRIER	12/03/98
MFG APPVL: N/A	
S.A. APPVL: S. GRAY	12/07/98
MKTG APPVL: N/A	
CAD FILE: SC211888-01.D	
PROJ REF: N/A	
PROJECT: DOS4073	
DRAWING NO. REV	
SC211888 0	
SHEET 1 OF 1	



REV. 061995

4

3

2

1